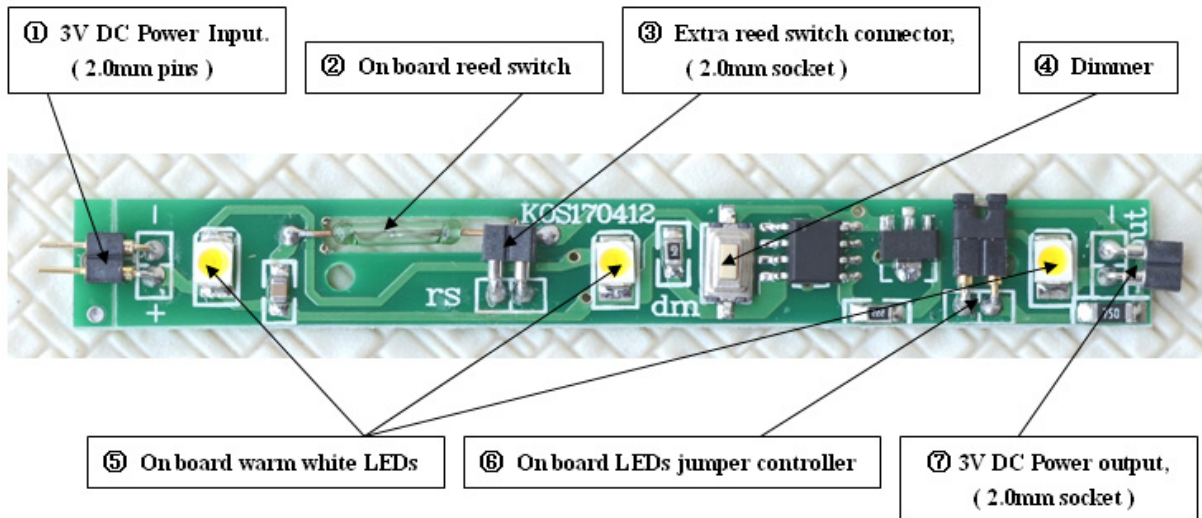


Model Signs

Instructions for **LightUp Easy®** Touchless Switch



How it works: when you place magnet close to the on board reed switch ② or the extra reed switch ③, the on board LEDs ⑤ will be lighted up and the the output ⑦ will supply power to the external devices (LED strips, LED lights, flasher etc...), the status can be kept when you remove the magnet, then, when you place the magnet near to the reed switch again, the on board LEDs and the output power will be turned off, just like an ON/OFF switch but touchless.

① **Power Input:** Accept 3V DC only, you may use 3V cell batteries, 2 x AA batteries, 2 x AAA batteries, or 3V DC max. 1000mA transformer as power supply.

② **On Board Reed Switch:** (sence distance of the default magnet is appro. 15mm)
You may use larger magnet to get longer sence distance.

③ **Extra reed switch connector (2.0mm socket) :** normally use with crossing signal flasher, see usage 2 below.

Model Signs

④ **Dimer:** Adjust the brightness of the on board LEDs and external LEDs from output, totally 3 positions, when press: they will be Brightest → Middle Bright → little bright → Brightest again, the status can be kept.

⑤ **On Board Warm White LEDs:**

⑥ **On board LEDs jumper controller:** The on board LEDs will not be turned on or off when you remove the jumper, but the output ⑦ will still supply power to external devices, just use as controller for external devices.

⑦ **Power Output:** supply 3V DC output to external device, the main board will spend very small current, and all the input current from ① can be forward to the output, that means 1000mA transformer may support approx. 50 LEDs.

Usage 1: light up your passenger cars and control the lights in them, the most convenient thing is that you may turn the lights on or off without opening your passenger cars, you may find a stick to hold the magnet, use as a magic wand and turn them on or off without touch, very cool. You may use one controller for each coach, or just one controller with many 3V LED strips, using my pin connectors with 0.28 slim wires, you may extend them to other coaches, but doing so may shorten the life of the batteries. You may place a magnet before a tunnel ceiling and another magnet after the tunnel ceiling, the lights may turn on before the train come into the tunnel and then turn off when it leave the tunnel. And the same, you may use it to control your street lights or other lighting system by your train automatically with a magnet under the cars.

Model Signs

